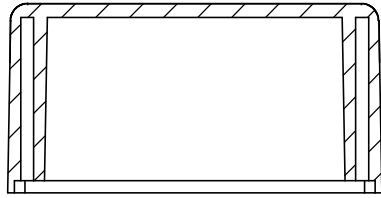


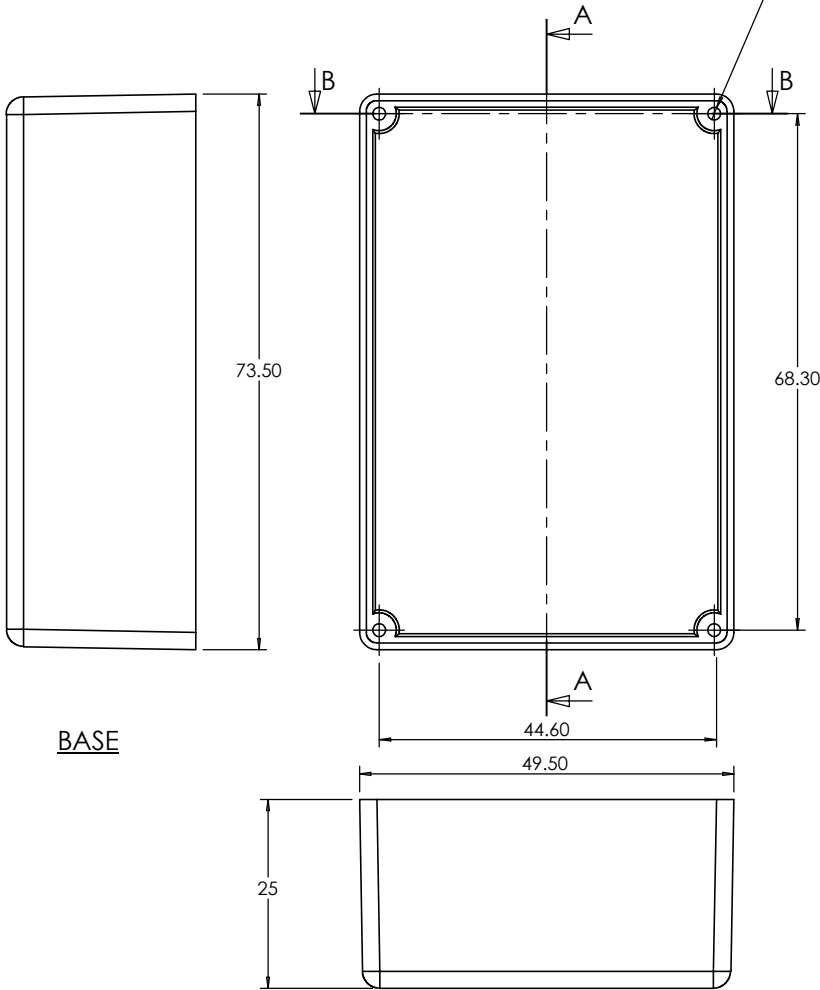
OVERALL ASSEMBLY DIMENSIONS:

EXTERNAL - 73.5 x 49.5 x 28

INTERNAL - 70 x 46 x 24

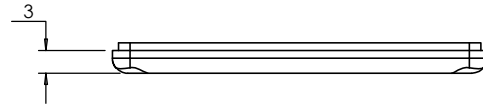
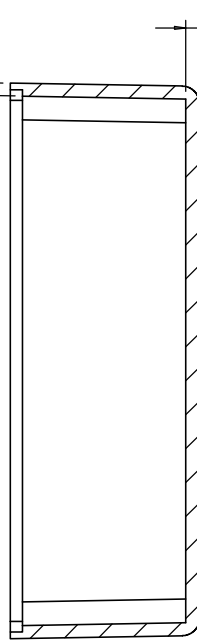


SECTION B-B



BASE

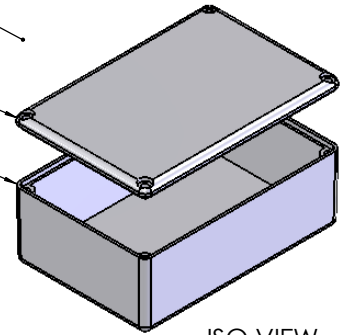
SECTION A-A



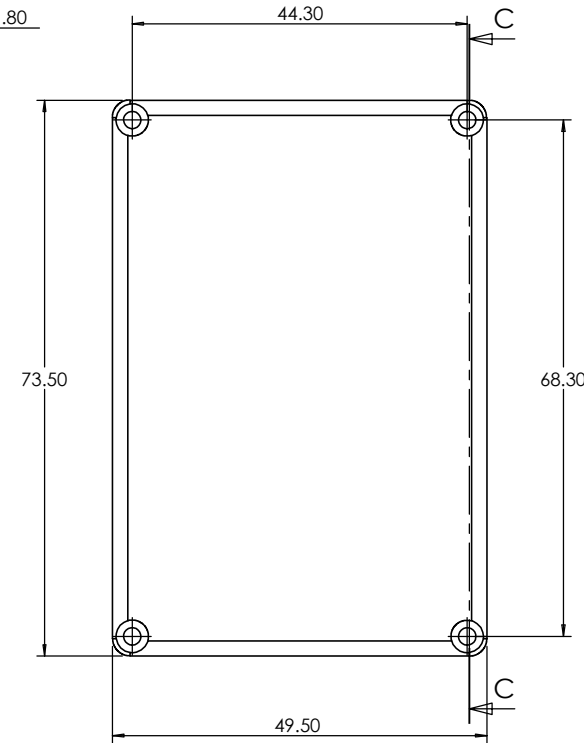
SELF TAPPING SCREWS

LID

BASE


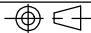


ISO VIEW
1:2



SECTION C-C

LID

 CAMDENBOSS JAMES CARTER RD, MILDENHALL, SUFFOLK. IP28 7DE TEL: 01638 716101 FAX: 01638 716554 EMAIL: Sales@CamdenBoss.com WEB: www.CamdenBoss.com				UNLESS OTHERWISE SPECIFIED: DIMENSIONS ARE IN MILLIMETERS		DO NOT SCALE DRAWING		REVISION. 0	
				FINISH. LIGHT SPARK		TITLE: ASSEMBLY DRG FOR RX2010			
DRAWN S.HARDINGE		SIGNED SJH		DATE 28/11/05		MATERIAL. ABS		DWG NO. RX2010	
CHK'D -		-		-		PROJECTION. 		SCALE: 1:1	
								SHEET 1 OF 1	

A4