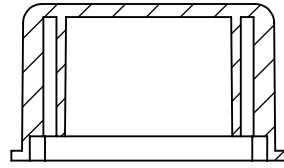


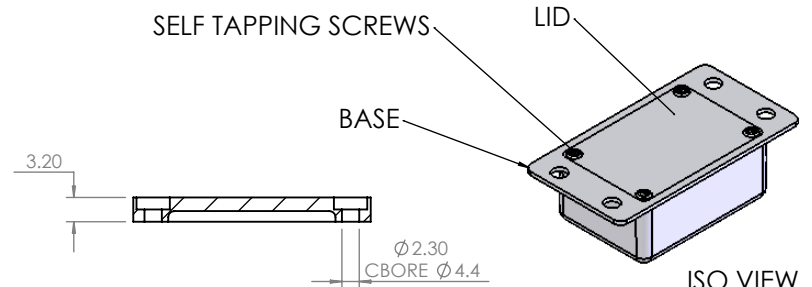
OVERALL ASSEMBLY DIMENSIONS:

EXTERNAL - 47.7 (68) x 33.5 (36.3) x 20.7

INTERNAL - 44 x 29.8 x 15.75

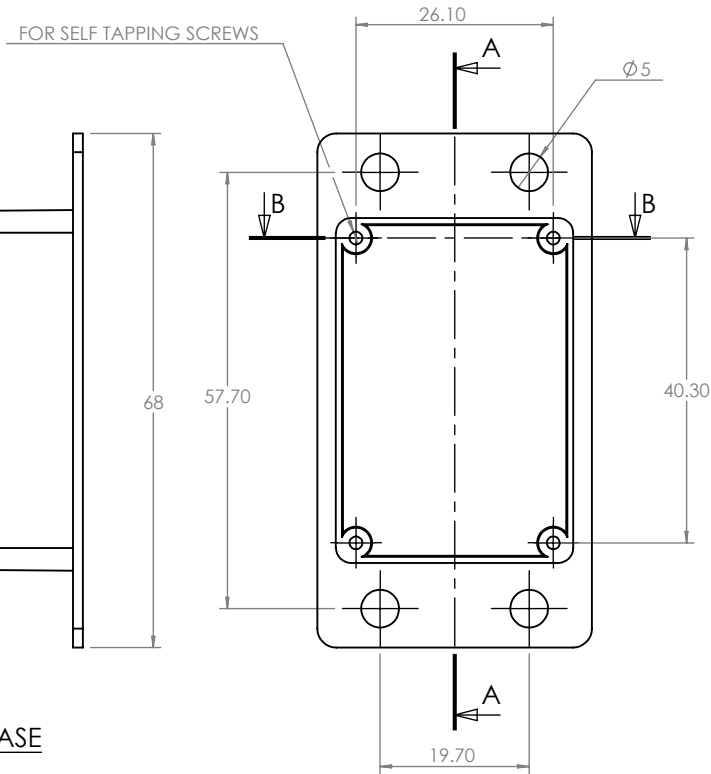


SECTION B-B

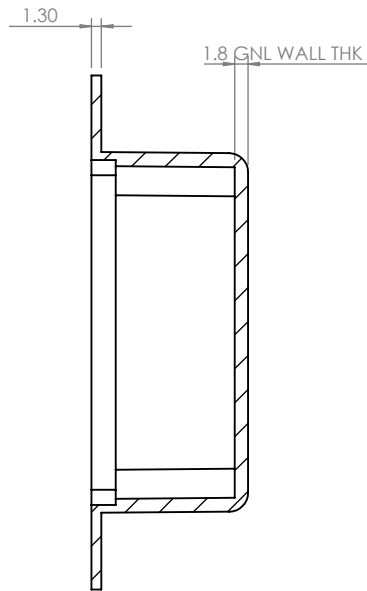


SECTION C-C

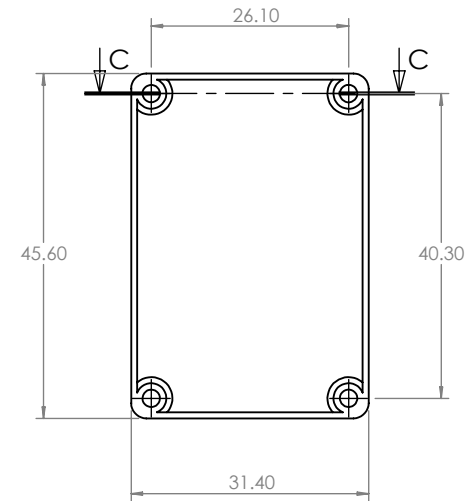
ISO VIEW
1:2



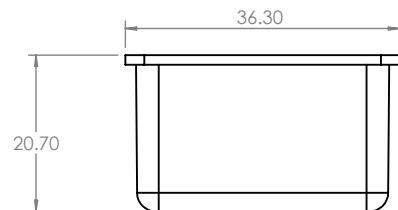
BASE





SECTION A-A



LID



 CAMDENBOSS JAMES CARTER RD, MILDENHALL, SUFFOLK, IP28 7DE TEL: 01 638 716101 FAX: 01 638 716554 EMAIL: SALES@CAMDENBOSS.COM WEB: www.CAMDENBOSS.COM		UNLESS OTHERWISE SPECIFIED: DIMENSIONS ARE IN MILLIMETERS		DO NOT SCALE DRAWING	REVISION. O
		FINISH: LIGHT SPARK		TITLE: ASSEMBLY DRG FOR 507	
DRAWN	S.HARDINGE	SJH	22/06/06	MATERIAL: ABS	DWG NO. 507
CHKD	-	-	-	PROJECTION. 	SCALE. 1 : 1
					A4
					SHEET 1 OF 1