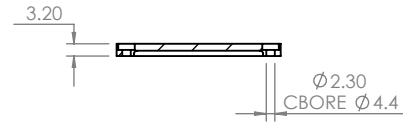


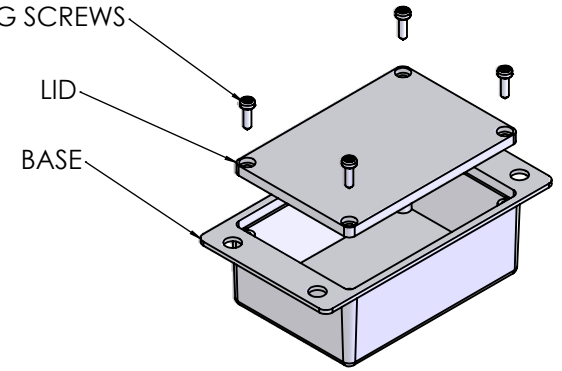
OVERALL ASSEMBLY DIMENSIONS:  
 EXTERNAL - 65.6 (85.9) x 45.5 (48.3) x 25.7  
 INTERNAL - 61.9 x 41.8 x 20.75



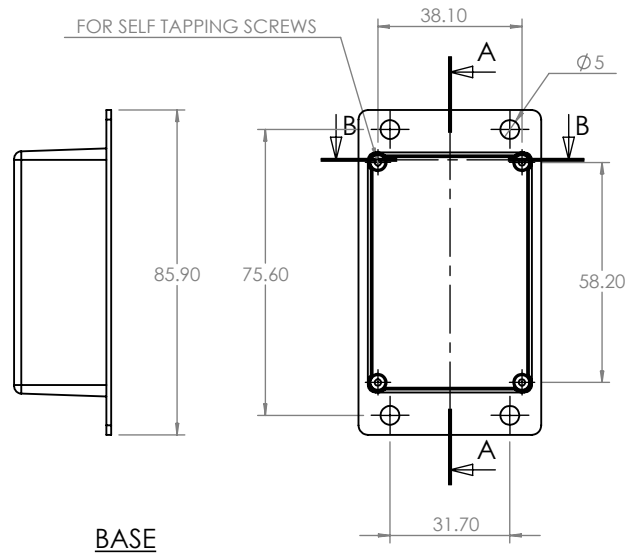
SECTION B-B



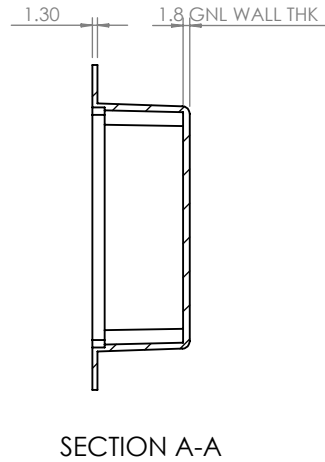
SECTION C-C



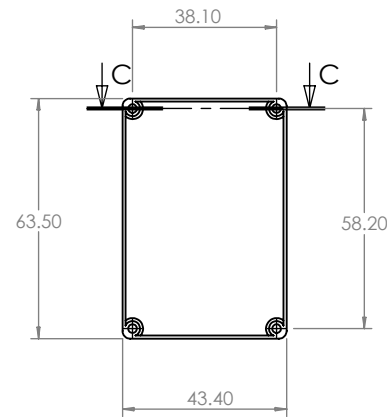
ISO VIEW



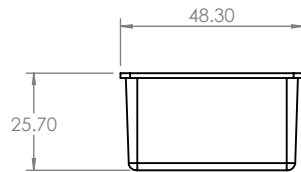
BASE





SECTION A-A



LID



 <b>CAMDENBOSS</b> JAMES CARTER RD, MILDENHALL, SUFFOLK, IP28 7DE TEL: 01 638 716101 FAX: 01 638 716554 EMAIL: SALES@CAMDENBOSS.COM WEB: www.CAMDENBOSS.COM		UNLESS OTHERWISE SPECIFIED: DIMENSIONS ARE IN MILLIMETERS		DO NOT SCALE DRAWING	REVISION. A
		FINISH: <b>LIGHT SPARK</b>		TITLE: <b>ASSEMBLY DRG FOR 509</b>	
DRAWN	NAME S.HARDINGE	SIGNED SJH	DATE 21/06/06	MATERIAL. <b>ABS</b>	DWG NO. <b>RX509A</b>
CHK'D	-	-	-	PROJECTION. 	SCALE: 1 : 2
					SHEET 1 OF 1

A4