

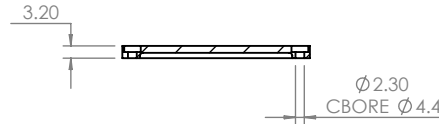
OVERALL ASSEMBLY DIMENSIONS:

EXTERNAL - 75.7 (96) x 51.7 (54.5) x 28.5

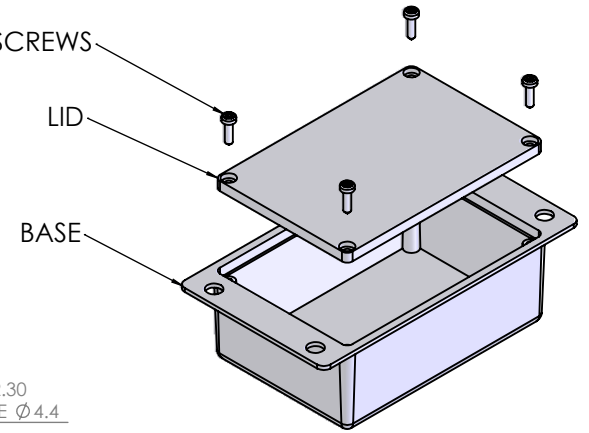
INTERNAL - 72 x 48 x 23.5



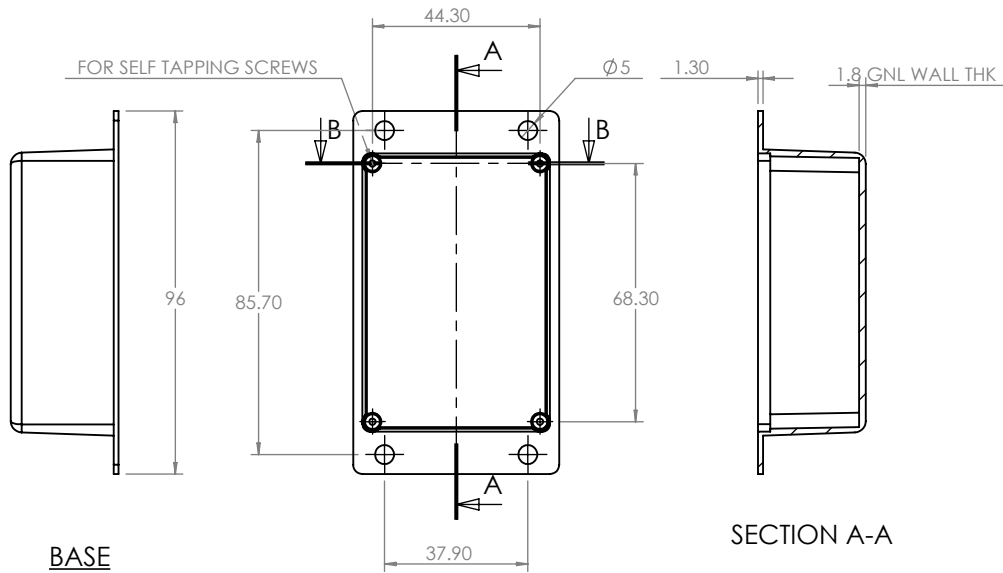
SECTION B-B



SECTION C-C

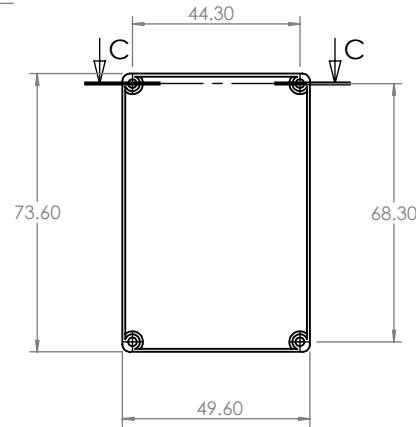


ISO VIEW

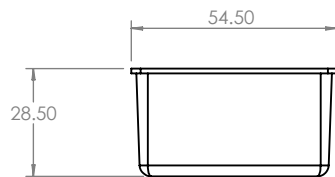




BASE

SECTION A-A



LID



 CAMDENBOSS JAMES CARTER RD, MILDENHALL, SUFFOLK, IP28 7DE TEL: 01 638 716101 FAX: 01 638 716554 EMAIL: SALES@CAMDENBOSS.COM WEB: WWW.CAMDENBOSS.COM		UNLESS OTHERWISE SPECIFIED: DIMENSIONS ARE IN MILLIMETERS	DO NOT SCALE DRAWING	REVISION. A		
		FINISH. LIGHT SPARK	TITLE: ASSEMBLY DRG FOR 500 SERIES			
DRAWN	NAME S.HARDINGE	SIGNED SJH	DATE 21/06/06	MATERIAL. ABS	DWG NO. RX510A	A4
CHKD	-	-	-	PROJECTION. 	SCALE: 1 : 2	SHEET 1 OF 1