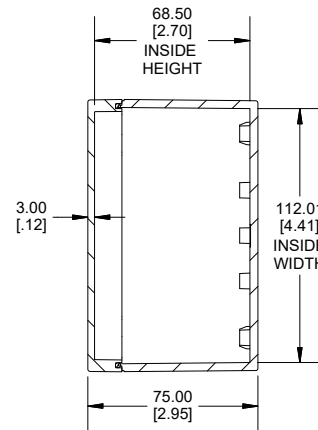
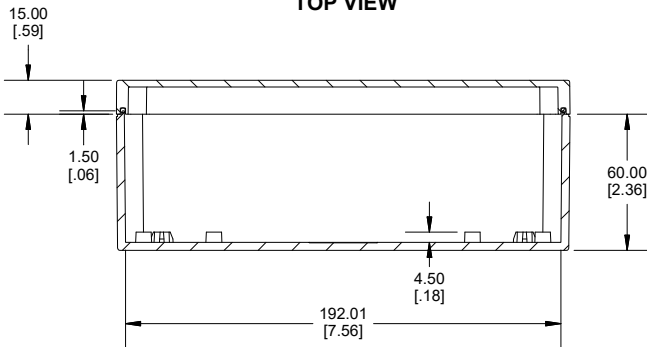


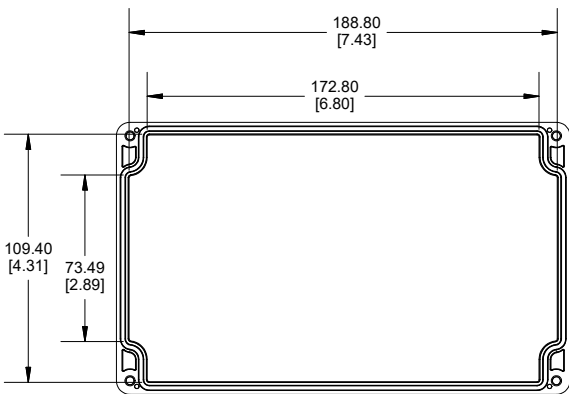
TOP VIEW



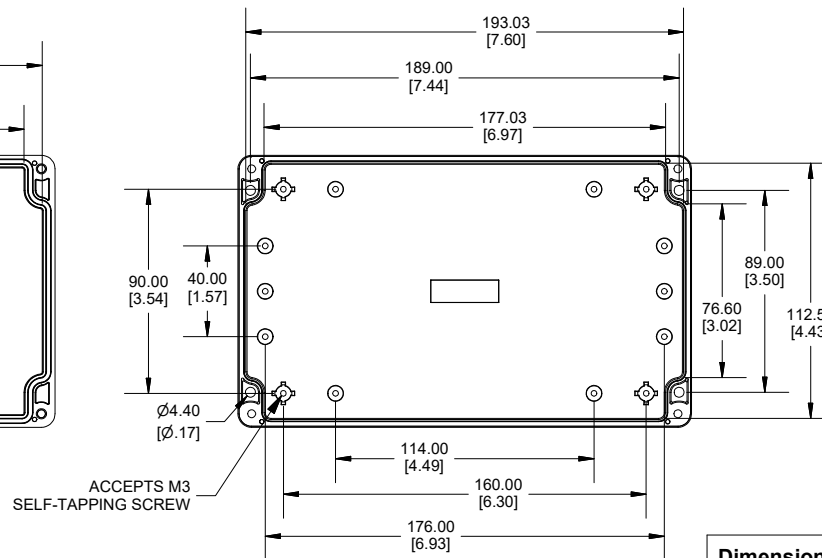
SECTION A-A
END VIEW



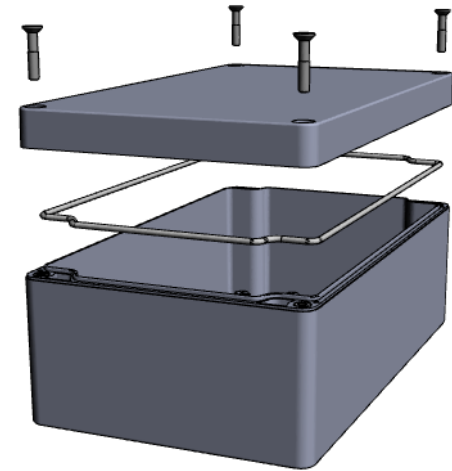
SECTION B-B
SIDE VIEW



INSIDE LID



INSIDE BOX



Enclosures can be Factory Modified (Milling, Drilling, Printing etc.)
 Contact Factory (modshop@hammfg.com) for quotes
 Solid models of this enclosure available in .stp or .x_t
 (Part number and text placement/orientation on our products are subject to change,
 we do not recommend using them as a locating reference for modification purposes)

NOTE

Purchased assembly includes Box, Lid, String Gasket, 4 PCB screws, and 4 Lid screws.

Recommended Torque : (43-50) Ozf.in / (30-35) cN.m

| RZ Enclosure | |
|---|--------------|
| Polycarbonate Off-White (UL94-V2) | RZ0269 |
| Polycarbonate Off-White with Clear Lid (UL94-V2) | RZ0269C |
| General Purpose ABS Light Grey (UL94 HB) | RZ0373 |
| General Purpose ABS Light Grey with Polycarbonate Clear Lid (UL94 HB) | RZ0373C |
| ACCESSORIES | |
| Cover Screw (M4-0.7 X 20mm) (50 Pkg) | SC618-50 |
| PCB Screw Self Tapping (M3 X 6mm) (50 Pkg) | SC622-50 |
| String Gasket EPDM Grey (2 Pkg) | RZ0373GASKET |

Dimensions:
mm
[inches]

**HAMMOND
MANUFACTURING**
RZ0269 (0373)
www.hammondmfg.com