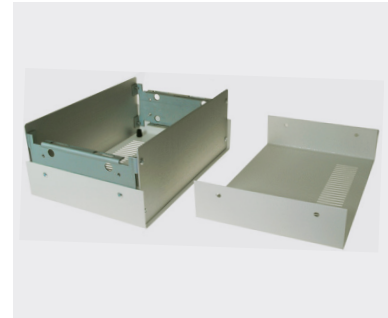


Metal consoles

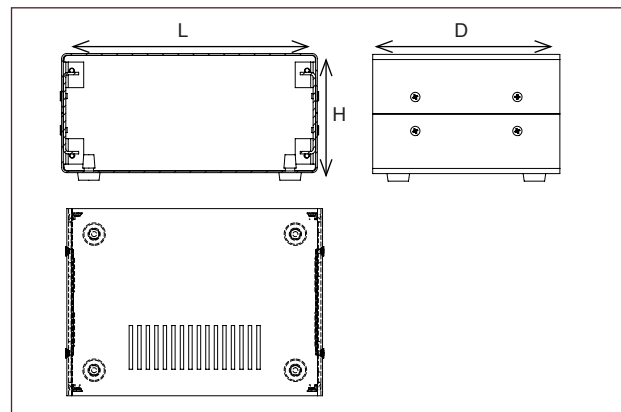
Product overview

Three sizes of sturdy steel cases made from 1mm thick steel. Epoxy finish. Aluminium front and rear panels.

- The consoles are supplied with four non-slip feet
- Two removable side plates are placed internally onto which PCB's and mounting trays can be affixed
- Easily customised
- Vented covers
- End plates ideal for customisation



SPECIFICATION	
Materials	Lid and base: 0.9mm steel Front and back: 1.5mm aluminium Mounting plates: 1.5mm zintec
Standard colours	RAL 9010
Standard unit includes	Lid and base Front and back 2x side plates 4x rubber feet 16 screws



PART NO.	LENGTH	DEPTH	HEIGHT
CMCB00001	110mm	150mm	70mm
CMCB00002	140mm	200mm	80mm
CMCB00003	160mm	250mm	100mm

KEY FEATURES

Removable side plates | Easily customised | Vented covers

