

# HEAVY DUTY ENCLOSURES

## X6 Series Electrical Knockout Enclosures - Polycarbonate

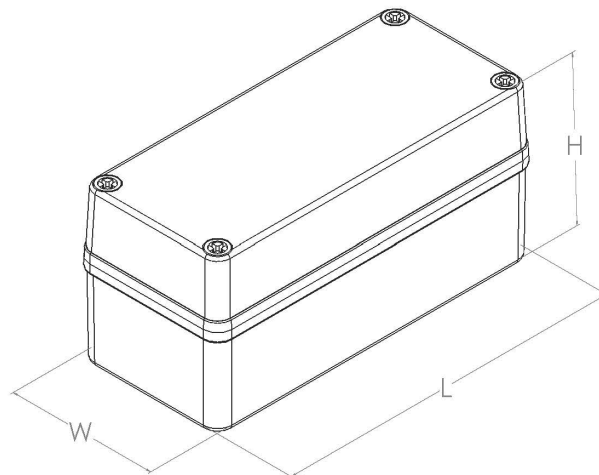
- IP66/67 rated enclosure
- IK07/08 impact tested
- Screw type lid with knock out base
- Moulded in high quality polycarbonate
- PCB pillars in the base for PCB mounting
- Gasket supplied with the enclosure
- Clear lid option available
- Captive, polyamide screws included

TYPE NO. SOLID LID	TYPE NO. CLEAR LID	LENGTH	WIDTH	HEIGHT
CHDX6-221	CHDX6-221C	110	80	70
CHDX6-222	CHDX6-222C	110	80	85
CHDX6-223	CHDX6-223C	130	80	70
CHDX6-224	CHDX6-224C	130	80	85
CHDX6-225	CHDX6-225C	180	80	70
CHDX6-226	CHDX6-226C	180	80	85
CHDX6-227	CHDX6-227C	250	80	70
CHDX6-228	CHDX6-228C	250	80	85
CHDX6-229	CHDX6-229C	175	125	70
CHDX6-230	CHDX6-230C	175	125	85

### SPECIFICATION

Materials	Polycarbonate UL94-V0
Operating Temperature	-40°C ~ +70°C
Protection class	IP66/67, IK07/08
Standard colours	Grey, transparent lid option
Standard unit includes	Box, lid, 4 screws
Available accessories	Mount plates

### CHDX6-2



UNIVERSAL ENCLOSURES

HAND HELD CASES

HEAVY DUTY ENCLOSURES

DIN RAIL ENCLOSURES

INTERFACE SUPPORTS

ELECTRICAL ENCLOSURES

DIECAST & METAL ENCLOSURES

DESKTOP & INSTRUMENT CASES

MULTI-PURPOSE & POTTING BOXES

19" ENCLOSURES

19" CABINETS

DEVELOPMENT BOARD ENCLOSURES

CUSTOM SIZED ENCLOSURES

FSPT/ CUSTOM SERVICES

# HEAVY DUTY ENCLOSURES

## X6 Series Electrical Knockout Enclosures - ABS

UNIVERSAL ENCLOSURES

HAND HELD CASES

HEAVY DUTY ENCLOSURES

DIN RAIL ENCLOSURES

INTERFACE SUPPORTS

ELECTRICAL ENCLOSURES

DIECAST & METAL ENCLOSURES

DESKTOP & INSTRUMENT CASES

MULTI-PURPOSE & POTTING BOXES

19" ENCLOSURES

19" CABINETS

DEVELOPMENT BOARD ENCLOSURES

CUSTOM SIZED ENCLOSURES

FSPT/ CUSTOM SERVICES

- IP66/67 rated enclosure
- IK07/08 impact tested
- Screw type lid with knock out base
- Moulded in high quality ABS
- PCB pillars in the base for PCB mounting
- Gasket supplied with the enclosure
- Clear lid option available
- Captive, polyamide screws included

### SPECIFICATION

Materials	ABS UL94-HB
Operating Temperature	40°C ~ + 70°C
Protection class	IP66/67, IK07/08
Standard colours	Grey, transparent lid option
Standard unit includes	Box, lid, 4 screws
Available accessories	Mount plates

TYPE NO. SOLID LID	TYPE NO. CLEAR LID	LENGTH	WIDTH	HEIGHT
CHDX6-321	CHDX6-321C	110	80	70
CHDX6-322	CHDX6-322C	110	80	85
CHDX6-323	CHDX6-323C	130	80	70
CHDX6-324	CHDX6-324C	130	80	85
CHDX6-325	CHDX6-325C	180	80	70
CHDX6-326	CHDX6-326C	180	80	85
CHDX6-327	CHDX6-327C	250	80	70
CHDX6-328	CHDX6-328C	250	80	85
CHDX6-329	CHDX6-329C	175	125	70
CHDX6-330	CHDX6-330C	175	125	85

CHDX6-3

