

HEAVY DUTY ENCLOSURES

X7 Series Electrical Heavy Duty Enclosures - Polycarbonate

- IP66/67 rated enclosure
- IK07/08 impact tested
- Heavy duty screw type enclosure
- Moulded in high quality Polycarbonate
- PCB pillers in the base for PCB mounting
- Brass inserts in the base
- Gasket supplied with the enclosure
- Clear lid option available
- Captive, polyamide screws included
- Wall mounting facility accessories available

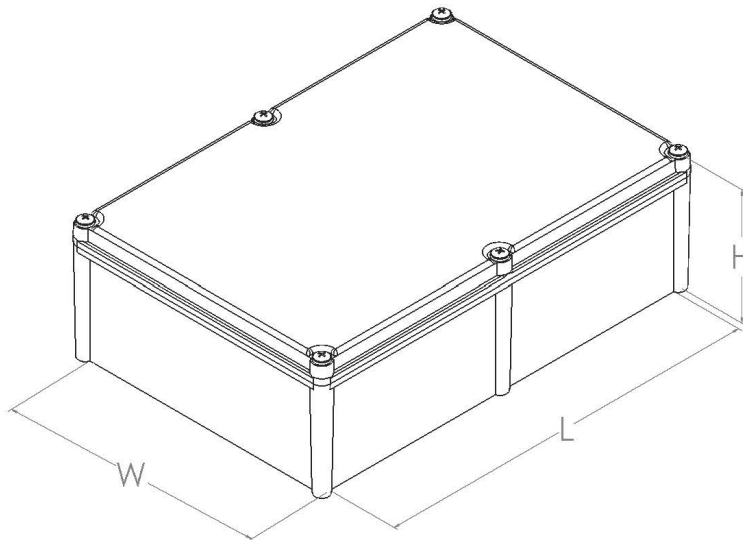
SPECIFICATION

Materials	Polycarbonate UL94-V0
Operating Temperature	-40°C ~ +70°C
Protection Class	IP66/67, IK07/08
Standard Colours	Grey, Transparent lid option
Standard Unit Includes	Box and lid, 4 screws
Available accessories	Mount plates

CHDX7-2



TYPE NO. SOLID LID	TYPE NO. CLEAR LID	LENGTH	WIDTH	HEIGHT
CHDX7-221	CHDX7-221C	190	190	130
CHDX7-222	CHDX7-222C	190	380	130
CHDX7-223	CHDX7-223C	190	380	180
CHDX7-224	CHDX7-224C	280	380	180
CHDX7-225	CHDX7-225C	330	430	180



UNIVERSAL ENCLOSURES

HAND HELD CASES

HEAVY DUTY ENCLOSURES

DIN RAIL ENCLOSURES

INTERFACE SUPPORTS

ELECTRICAL ENCLOSURES

DIECAST & METAL ENCLOSURES

DESKTOP & INSTRUMENT CASES

MULTI-PURPOSE & POTTING BOXES

19" ENCLOSURES

19" CABINETS

DEVELOPMENT BOARD ENCLOSURES

CUSTOM SIZED ENCLOSURES

FSPT/ CUSTOM SERVICES



+44 (0)1638 716101
info@camdenboss.com
www.camdenboss.com

We operate a constant improvement policy, our products are subject to change without notice.

Ver 2



HEAVY DUTY ENCLOSURES

X7 Series Electrical Heavy Duty Enclosures - ABS

UNIVERSAL ENCLOSURES

HAND HELD CASES

HEAVY DUTY ENCLOSURES

DIN RAIL ENCLOSURES

INTERFACE SUPPORTS

ELECTRICAL ENCLOSURES

DIECAST & METAL ENCLOSURES

DESKTOP & INSTRUMENT CASES

MULTI-PURPOSE & POTTING BOXES

19" ENCLOSURES

19" CABINETS

DEVELOPMENT BOARD ENCLOSURES

CUSTOM SIZED ENCLOSURES

FSPT/ CUSTOM SERVICES

- IP66/67 rated enclosure
- IK07/08 impact tested
- Heavy duty screw type enclosure
- Moulded in high quality ABS
- PCB pillers in the base for PCB mounting
- Brass inserts in the base
- Gasket supplied with the enclosure
- Clear lid option available
- Wall mounting facility accessories available
- Captive, polyamide screws included

SPECIFICATION

Materials	ABS UL94-HB
Operating Temperature	-40°C ~ +70°C
Protection Class	IP66/67, IK07/08
Standard Colours	Grey, Transparent lid option
Standard Unit Includes	Box and lid, 4 screws
Available accessories	Mount plates and vents

TYPE NO. SOLID LID	TYPE NO. CLEAR LID	LENGTH	WIDTH	HEIGHT
CHDX7-321	CHDX7-321C	190	190	130
CHDX7-322	CHDX7-322C	190	380	130
CHDX7-323	CHDX7-323C	190	380	180
CHDX7-324	CHDX7-324C	280	380	180
CHDX7-325	CHDX7-325C	330	430	180

CHDX7-3

