

HEAVY DUTY ENCLOSURES

X8 Series Electrical Hinged Lid Enclosure - Polycarbonate

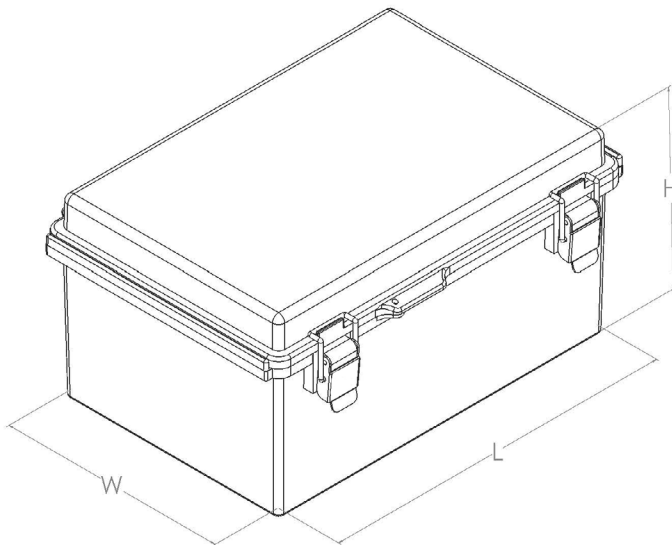
- IP66/67 rated enclosure
- IK07/08 impact tested
- Heavy duty hinge and latch enclosure
- Moulded in high quality Polycarbonate
- PCB pillars in the base for PCB mounting
- Brass inserts in the base
- Gasket supplied with the enclosure
- Clear lid option available
- Wall mounting facility accessories available

SPECIFICATION

Materials	Polycarbonate UL94-V0
Operating Temperature	-40°C ~ + 70°C
Protection Class	IP66/67, IK07/08
Standard Colours	Grey, Transparent lid option
Standard Unit Includes	Box and lid
Available accessories	Dual door kit mount plates, integral lock vents

TYPE NO. SOLID LID	TYPE NO. CLEAR LID	LENGTH	WIDTH	HEIGHT
CHDX8-221	CHDX8-221C	260	110	75
CHDX8-222	CHDX8-222C	260	110	100
CHDX8-223	CHDX8-223C	185	135	85
CHDX8-224	CHDX8-224C	185	135	100
CHDX8-225	CHDX8-225C	220	170	110
CHDX8-226	CHDX8-226C	270	170	110
CHDX8-227	CHDX8-227C	300	200	150
CHDX8-228	CHDX8-228C	300	200	180
CHDX8-229	CHDX8-229C	210	210	100
CHDX8-230	CHDX8-230C	350	250	180
CHDX8-231	CHDX8-231C	300	300	180
CHDX8-232	CHDX8-232C	400	300	180
CHDX8-233	CHDX8-233C	500	400	200
CHDX8-234	CHDX8-234C	630	530	255
CHDX8-235	CHDX8-235C	830	630	185
CHDX8-236	CHDX8-236C	830	630	285

CHDX8-2



UNIVERSAL ENCLOSURES

HAND HELD CASES

HEAVY DUTY ENCLOSURES

DIN RAIL ENCLOSURES

INTERFACE SUPPORTS

ELECTRICAL ENCLOSURES

DIECAST & METAL ENCLOSURES

DESKTOP & INSTRUMENT CASES

MULTI-PURPOSE & POTTING BOXES

19" ENCLOSURES

19" CABINETS

DEVELOPMENT BOARD ENCLOSURES

CUSTOM SIZED ENCLOSURES

FSPT/ CUSTOM SERVICES

HEAVY DUTY ENCLOSURES

X8 Series Electrical Hinged Lid Enclosure - ABS

UNIVERSAL ENCLOSURES

HAND HELD CASES

HEAVY DUTY ENCLOSURES

DIN RAIL ENCLOSURES

INTERFACE SUPPORTS

ELECTRICAL ENCLOSURES

DIECAST & METAL ENCLOSURES

DESKTOP & INSTRUMENT CASES

MULTI-PURPOSE & POTTING BOXES

19" ENCLOSURES

19" CABINETS

DEVELOPMENT BOARD ENCLOSURES

CUSTOM SIZED ENCLOSURES

FSPT/ CUSTOM SERVICES

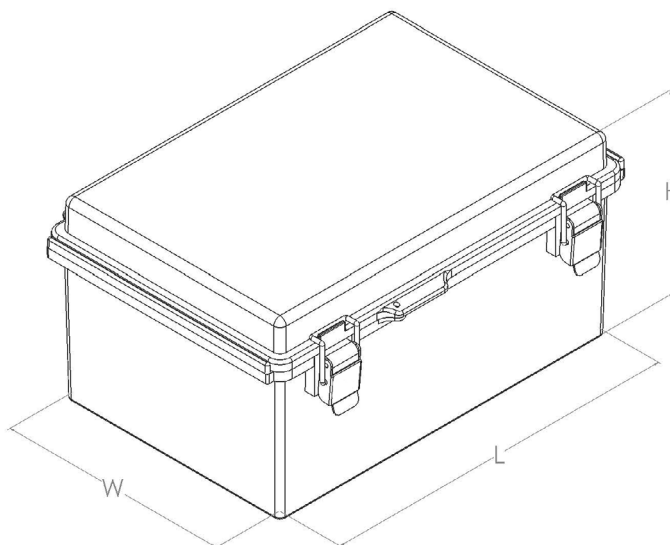
- IP66/67 rated enclosure
- IK07/08 impact tested
- Heavy duty hinge and latch enclosure
- Moulded in high quality ABS
- PCB pillars in the base for PCB mounting
- Brass inserts in the base
- Gasket supplied with the enclosure
- Clear lid option available
- Wall mounting facility accessories available

SPECIFICATION

Materials	ABS UL94-HB
Operating Temperature	-40°C ~ + 70°C
Protection Class	IP66/67, IK07/08
Standard Colours	Grey, Transparent lid option
Standard Unit Includes	Box and lid
Available accessories	Dual door kit mount plates, integral lock vents

TYPE NO. SOLID LID	TYPE NO. CLEAR LID	LENGTH	WIDTH	HEIGHT
CHDX8-321	CHDX8-321C	260	110	75
CHDX8-322	CHDX8-322C	260	110	100
CHDX8-333	CHDX8-323C	185	135	85
CHDX8-324	CHDX8-324C	185	135	100
CHDX8-325	CHDX8-325C	220	170	110
CHDX8-326	CHDX8-326C	270	170	110
CHDX8-327	CHDX8-327C	300	200	150
CHDX8-328	CHDX8-328C	300	200	180
CHDX8-329	CHDX8-329C	210	210	100
CHDX8-330	CHDX8-330C	350	250	180
CHDX8-331	CHDX8-331C	300	300	180
CHDX8-332	CHDX8-332C	400	300	180
CHDX8-333	CHDX8-333C	500	400	200
CHDX8-334	CHDX8-334C	630	530	255
CHDX8-335	CHDX8-335C	830	630	185
CHDX8-336	CHDX8-336C	830	630	285

CHDX8-3



+44 (0)1638 716101
info@camdenboss.com
www.camdenboss.com

We operate a constant improvement policy, our products are subject to change without notice.

CAMDENBOSS
 ELECTRONICS & ENCLOSURES