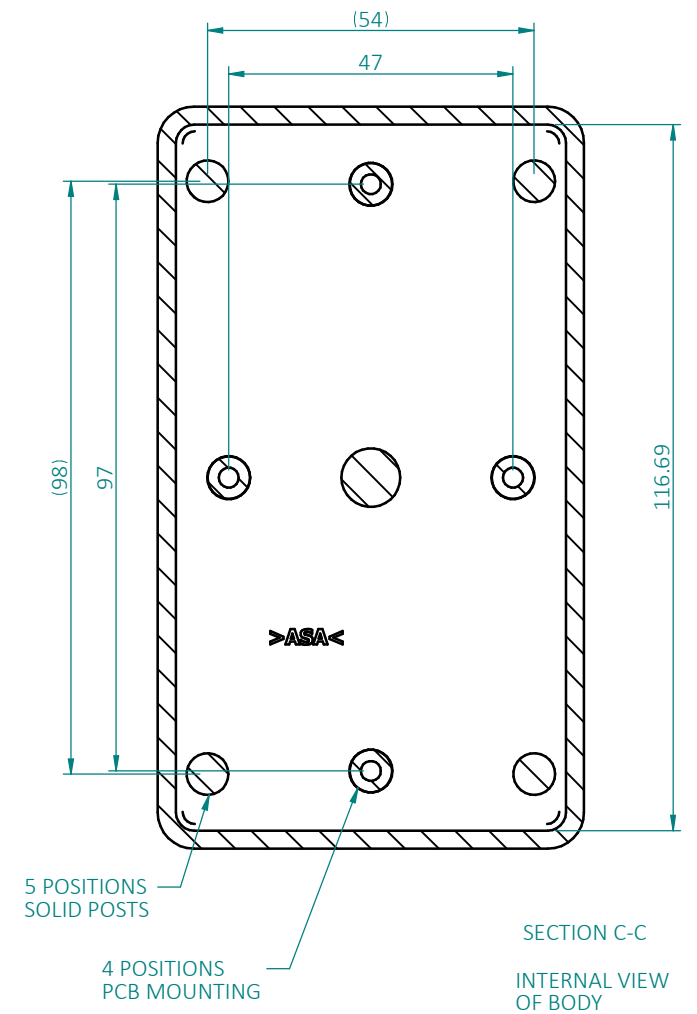
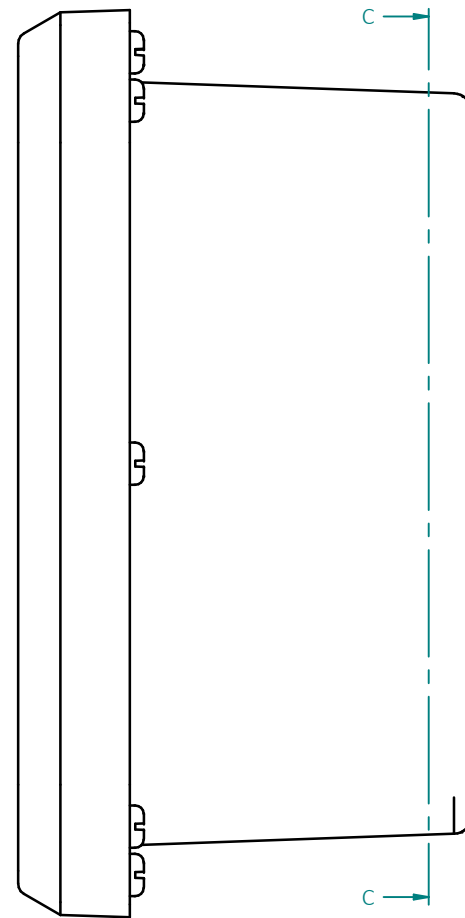
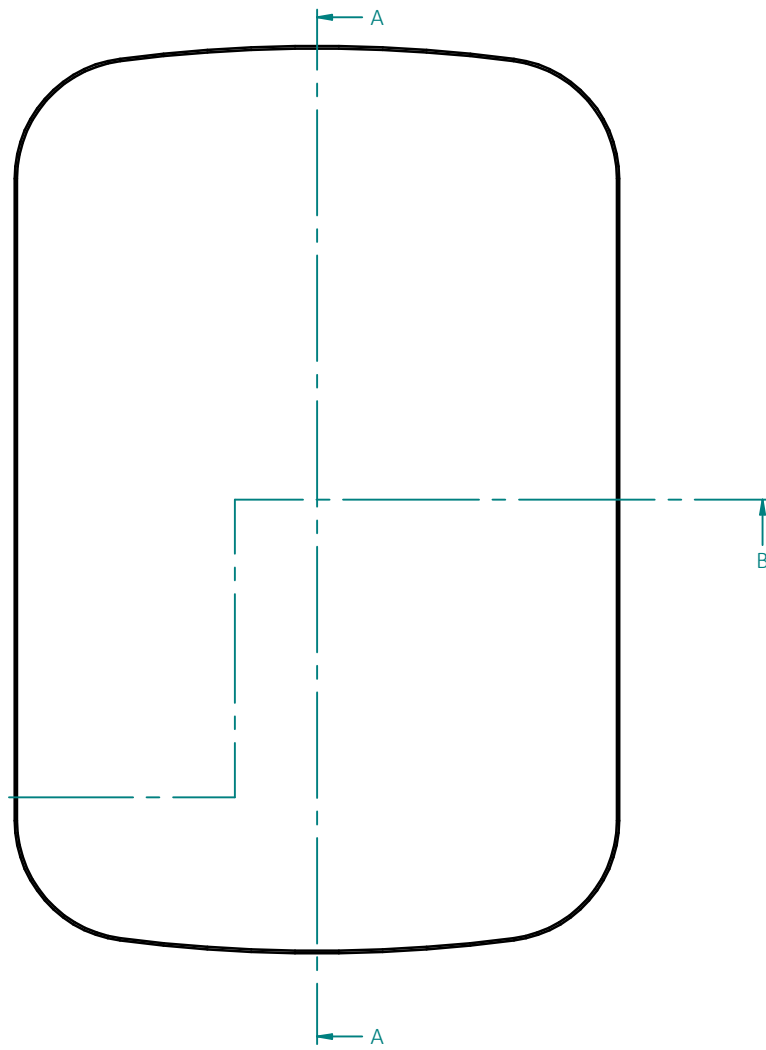
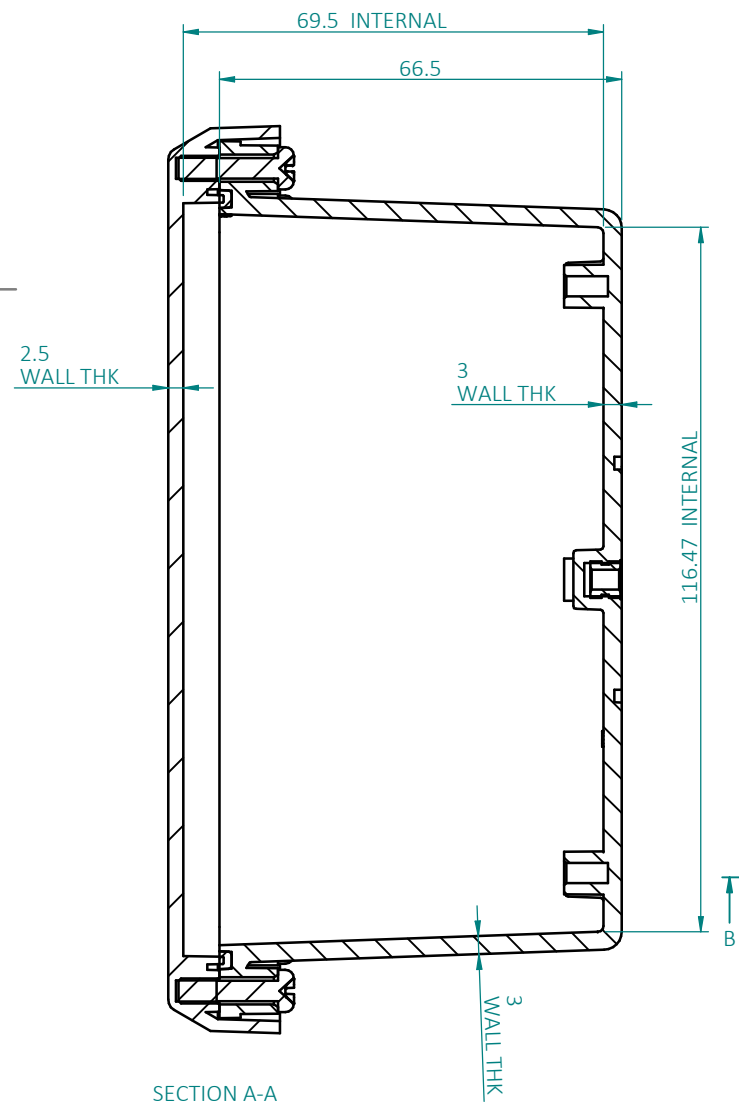
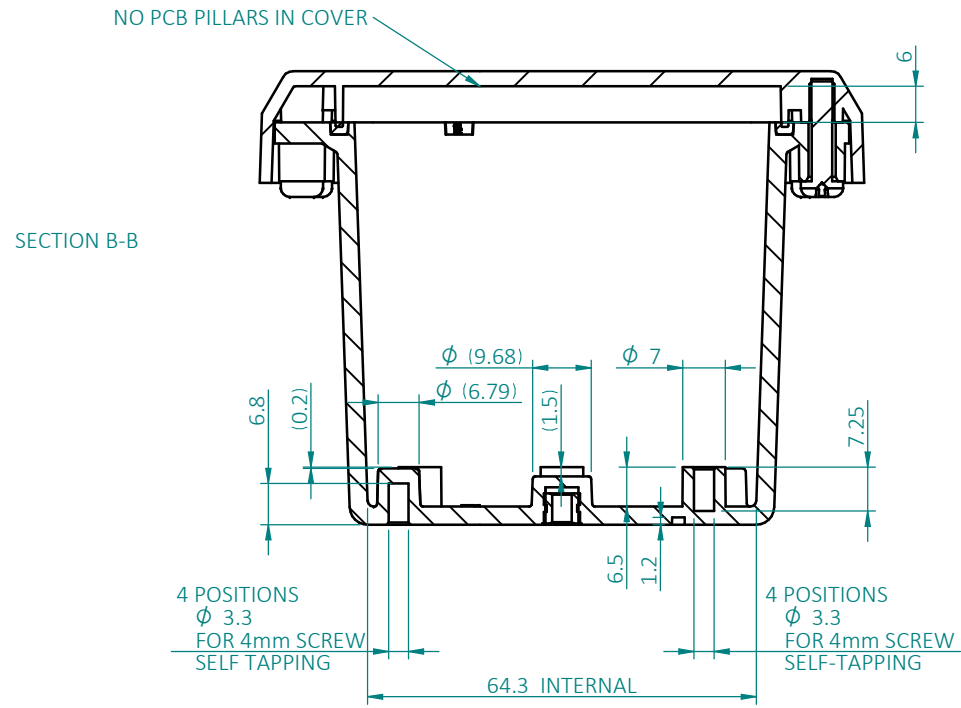


REVISION	DATE	ECR	DESCRIPTION	IPAGAND NAME	S.HARDINGE CHECKED	DRAWING UNITS: MILLIMETERS TOLERANCES: SEE CRITICAL DIMENSIONS	PROJECTION	COLOR: OFF WHITE FINISH: VDI:25 LIGHT SPARK MATERIAL: ASA - UV RESISTANT - UL 94 HB	GAUGE: DO NOT SCALE DRAWING DEBURR AND BREAK SHARP EDGES	TITLE: IP68 HIGH PERFORMANCE COM BOX	DWG NO: CHD7320WH	SCALE: 1:1 SHEET 1 OF 3 A3
1	09/12/22	-	FIRST DRAWN									





REVISION	DATE	ECR	DESCRIPTION	NAME	CHECKED
1	09/12/22	-	FIRST DRAWN	I.PAGANO	S.HARDINGE

**CAMDENBOSS**  
CONNECT. ENCLOSE. INNOVATE.

DRAWING UNITS: MILLIMETERS  
TOLERANCES: SEE CRITICAL DIMENSIONS

PROJECTION

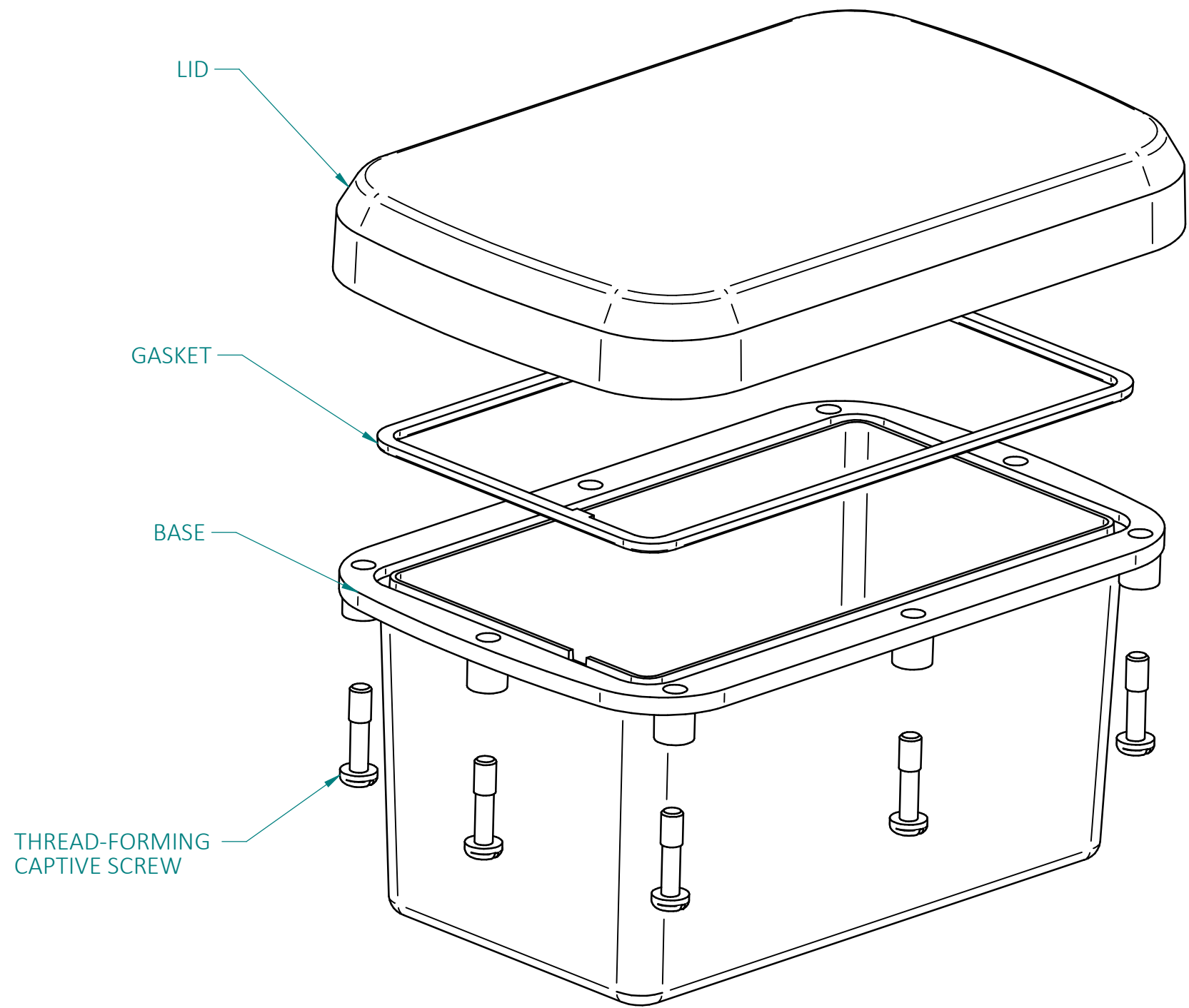
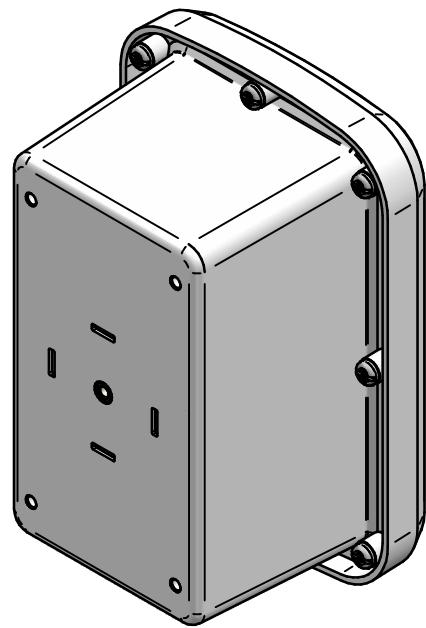
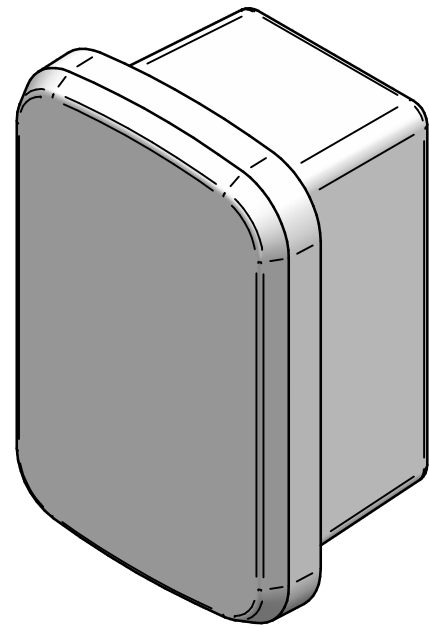
COLOUR: OFF WHITE  
FINISH: VDI:25 LIGHT SPARK  
MATERIAL: ASA - UV RESISTANT - UL 94 HB

GAUGE: DO NOT SCALE DRAWING  
DEBURR AND BREAK SHARP EDGES

TITLE: IP68 HIGH PERFORMANCE COM BOX

DWG NO: CHD7320WH

SCALE: 1:1  
SHEET 2 OF 3  
A3



-	-	-	-	-	-	 <b>CAMDENBOSS</b> CONNECT. ENCLOSE. INNOVATE.	COLOUR: OFF WHITE	GAUGE:	DO NOT SCALE DRAWING DEBURR AND BREAK SHARP EDGES	SCALE: 1:2
-	-	-	-	-	-		FINISH: VDI:25 LIGHT SPARK	TITLE: IP68 HIGH PERFORMANCE COM BOX	SHEET 3 OF 3	
1	09/12/22	-	FIRST DRAWN	IPAGAND	S.HARDINGE		DRAWING UNITS: MILLIMETERS TOLERANCES: SEE CRITICAL DIMENSIONS	MATERIAL: ASA - UV RESISTANT - UL 94 HB	DWG NO: CHD7320WH	A3
REVISION	DATE	ECR	DESCRIPTION	NAME	CHECKED					