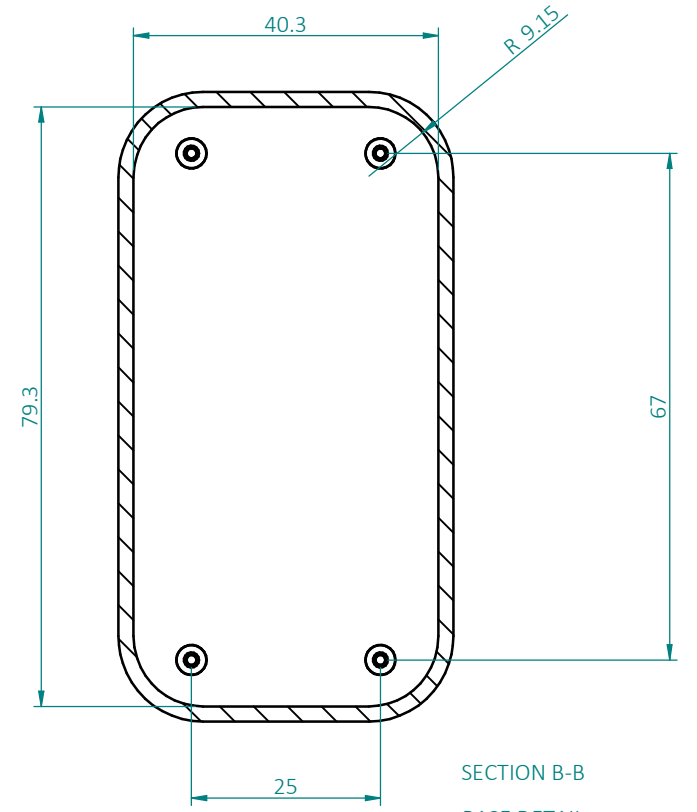
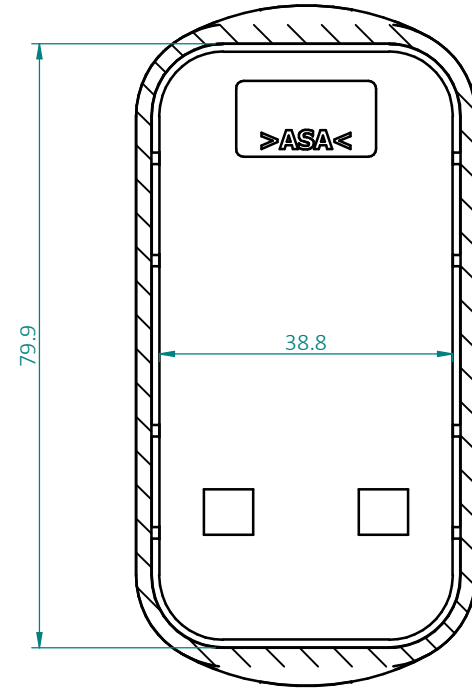
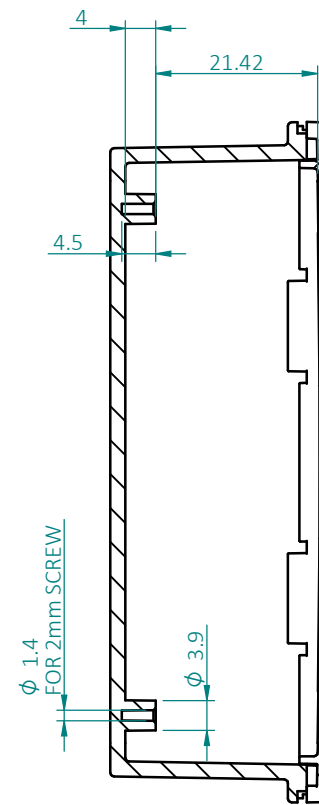
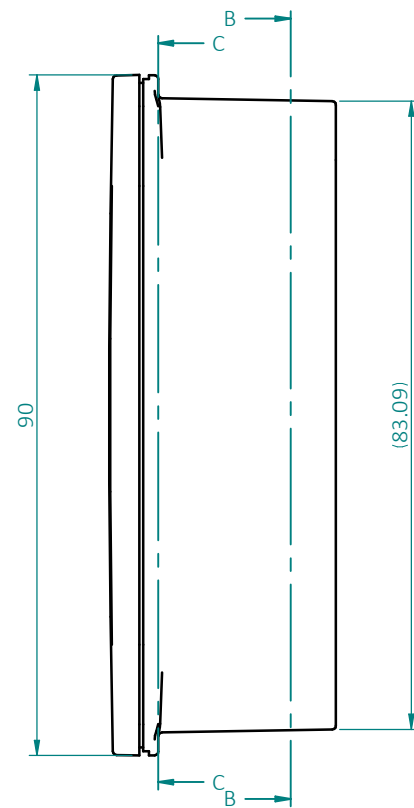
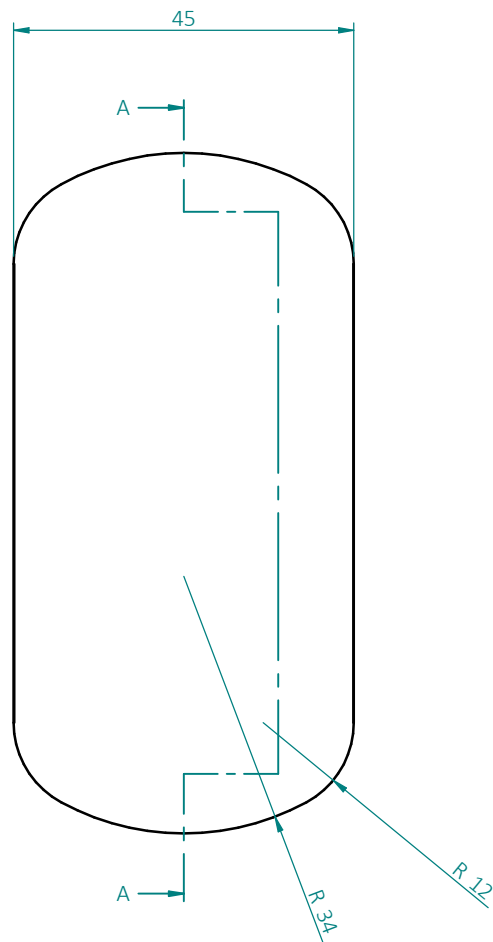


SECTION C-C  
COVER DETAIL



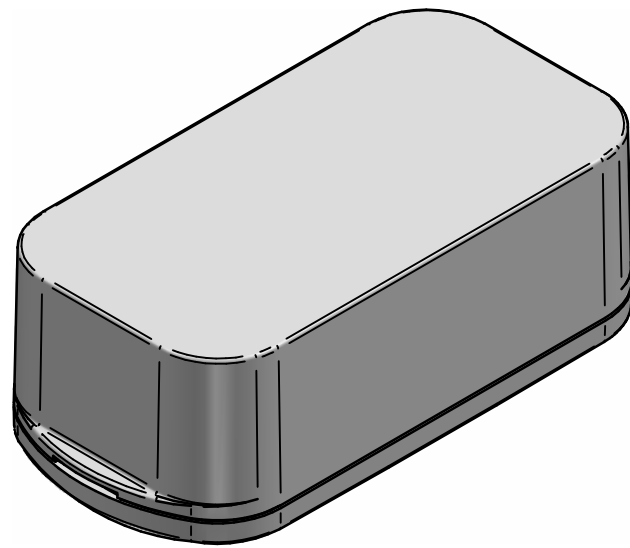
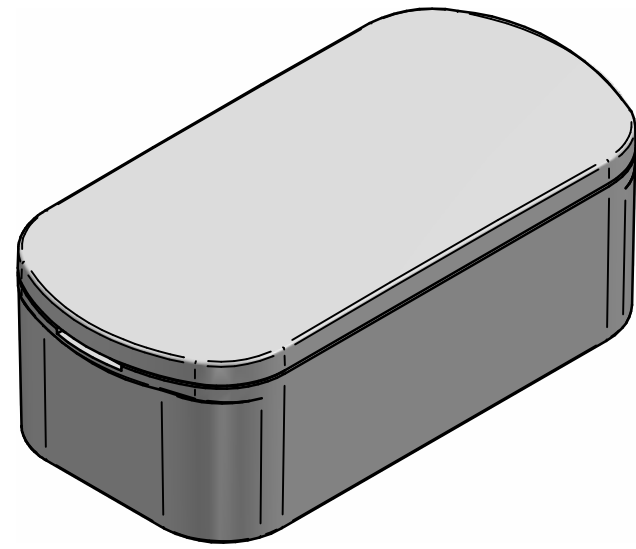
SECTION B-B  
BASE DETAIL



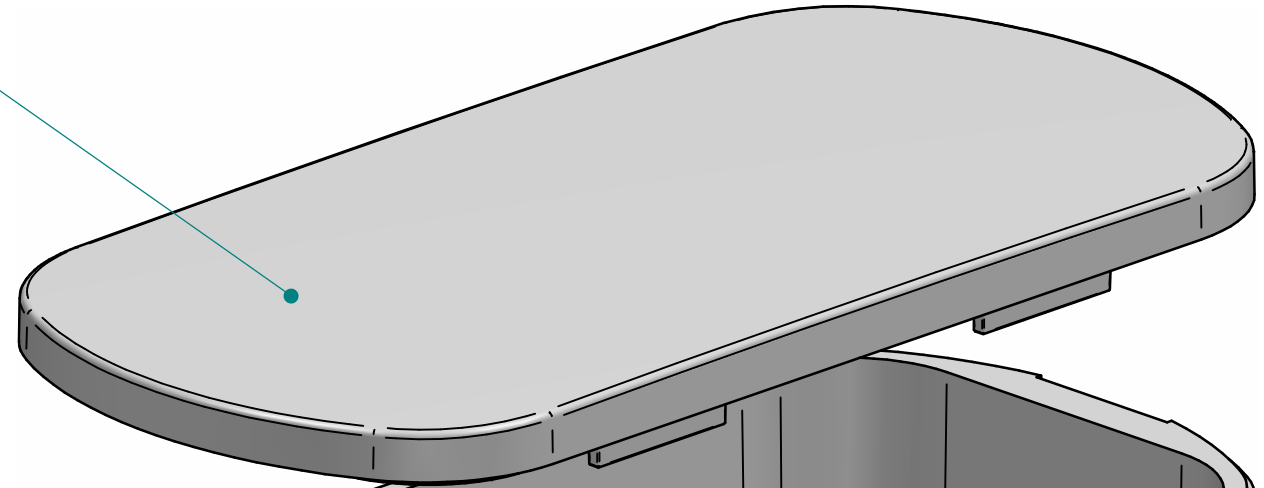
SECTION A-A

PART NUMBER	MATERIAL	COLOUR
CHH9840WH	ASA - UL 94 HB	OFF WHITE
CHH9840BK	ABS - UL 94 HB	BLACK

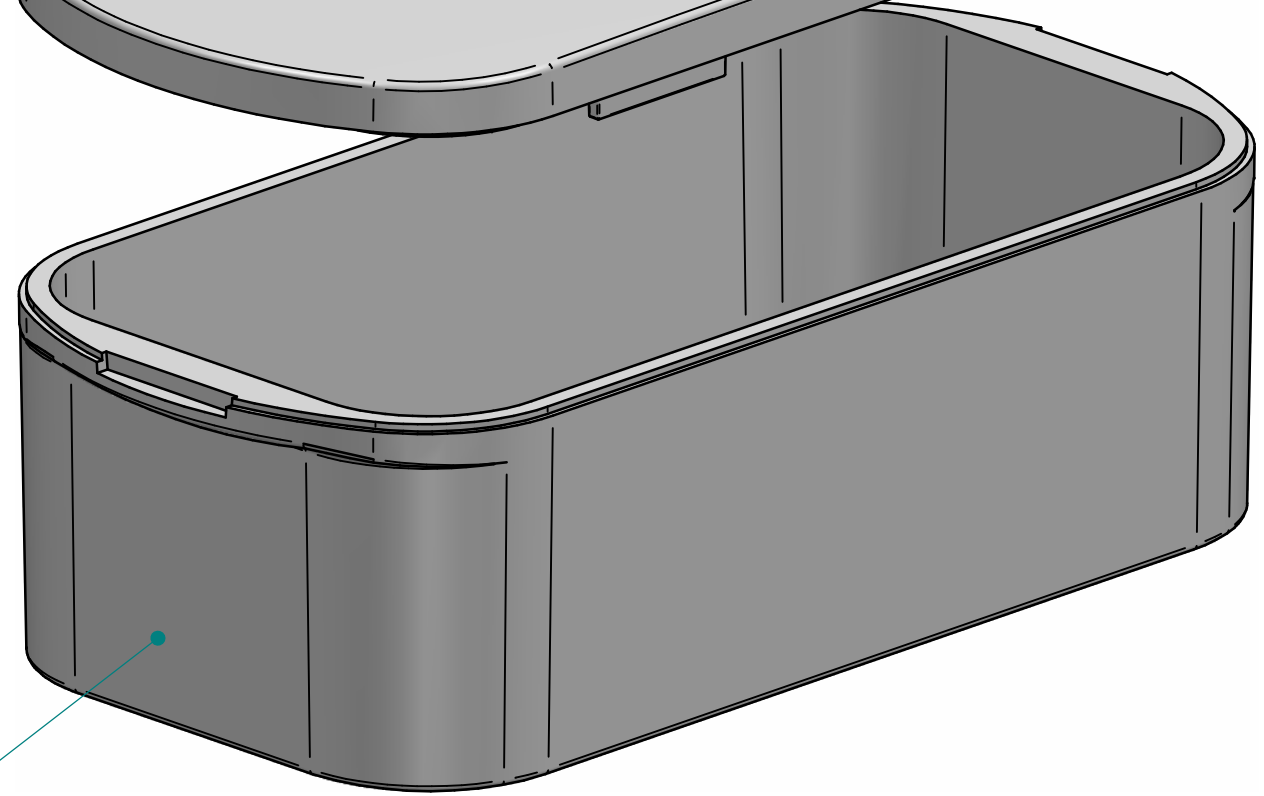
REVISION	DATE	ECR	DESCRIPTION	IPAGANO NAME	S. HARDINGE CHECKED	<b>CAMDENBOSS</b> CONNECT. ENCLOSE. INNOVATE.	COLOUR: SEE TABLE	GAUGE: DO NOT SCALE DRAWING DEBURR AND BREAK SHARP EDGES	SCALE: 1:2
1	09/12/22	-	FIRST DRAWN				DRAWING UNITS: MILLIMETERS TOLERANCES: SEE CRITICAL DIMENSIONS	FINISH: GLOSS	TITLE: HANDHELD SMALL IoT CASE SIZE 4
						PROJECTION: 	MATERIAL: SEE TABLE	DWG NO: CHH9840xx	A3




COVER



BASE



-	-	-	-	-	-	 <b>CAMDENBOSS</b> CONNECT. ENCLOSE. INNOVATE.	COLOUR: SEE TABLE	GAUGE:	DO NOT SCALE DRAWING DEBURR AND BREAK SHARP EDGES	SCALE: 1:1
-	-	-	-	-	-		FINISH: GLOSS	TITLE: HANDHELD SMALL IoT CASE SIZE 4	SHEET 2 OF 2	
1	09/12/22	-	FIRST DRAWN	IPAGANO	S. HARDINGE		DRAWING UNITS: MILLIMETERS TOLERANCES: SEE CRITICAL DIMENSIONS	MATERIAL: SEE TABLE	DWG NO: CHH9840xx	A3
REVISION	DATE	ECR	DESCRIPTION	NAME	CHECKED					