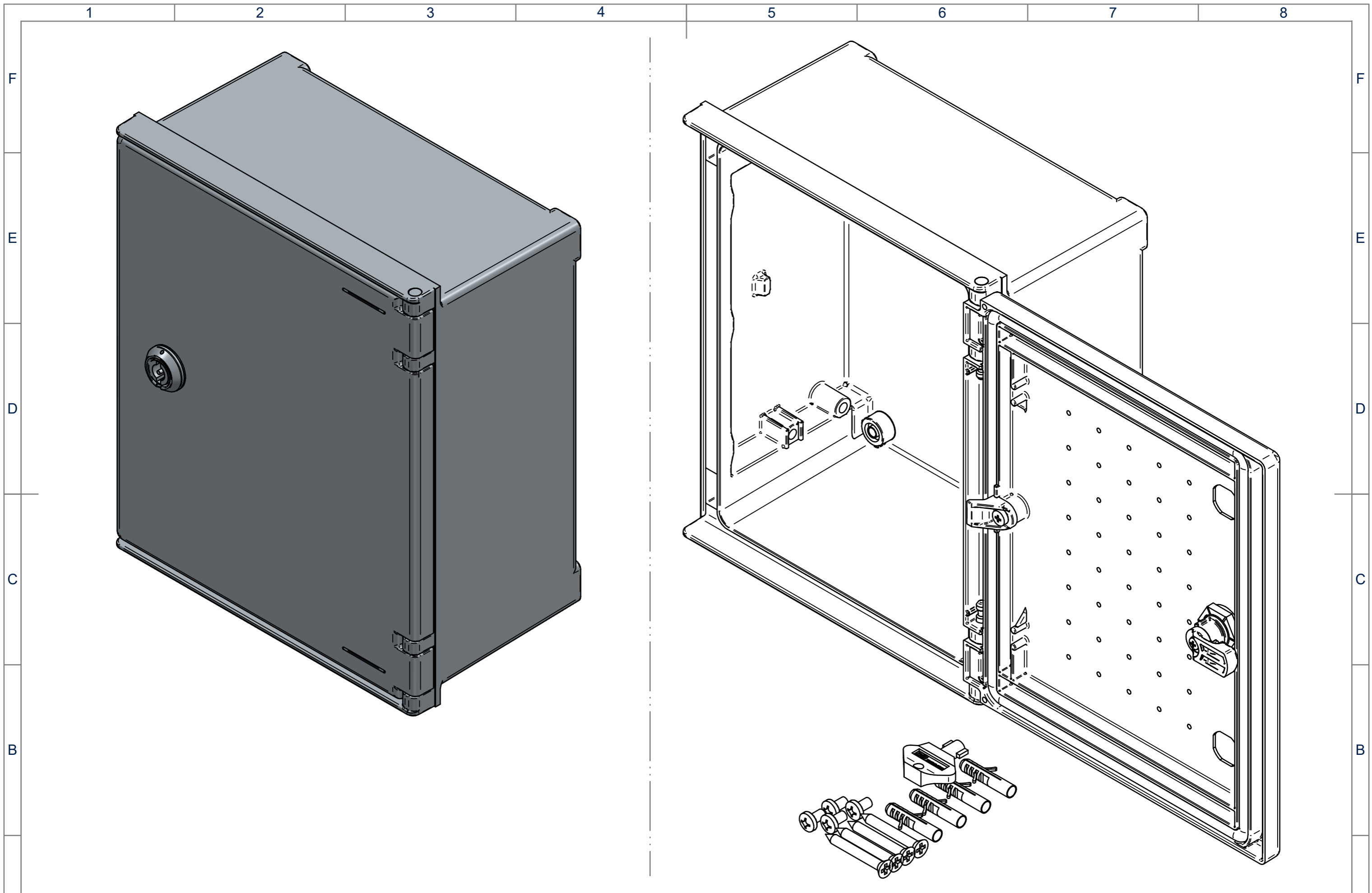


-			-		CAMDENBOSS <small>CONNECT. ENCLOSE. INNOVATE.</small>	COLOUR: LIGHT-GREY RAL 7035	GAUGE: N/A	DO NOT SCALE DRAWING DEBURR AND BREAK SHARP EDGES	SCALE: 1:3
-			-			FINISH: SMOOTH	TITLE: SALES GA DRAWING FOR SIZE -325 HERCULES CABINET		
01			FIRST DRAWN			M.MACIAK	MATERIAL: POLYESTER FIBREGLASS-REINFORCED	DWG NO: HER_B1_325 -01	
REVISION	DATE	INPD #	DESCRIPTION	COMPLETED BY	DRAWING UNITS: MILLIMETERS TOLERANCES: SEE CRITICAL DIMENSIONS	PROJECTION	SHEET 1 OF 2		
1	22/04/24	-					A3		



-			-		-		-		-		-	
01			22/04/24		-		FIRST DRAWN		M.MACIAK		DRAWING UNITS: MILLIMETERS TOLERANCES: SEE CRITICAL DIMENSIONS	
REVISION	DATE	INPD #	DESCRIPTION	COMPLETED BY	PROJECTION		MATERIAL: POLYESTER FIBREGLASS-REINFORCED		DWG NO: HER_B1_325 -01		SCALE: 1:2 SHEET 2 OF 2 A3	



COLOUR: LIGHT-GREY RAL 7035
FINISH: SMOOTH
MATERIAL: POLYESTER FIBREGLASS-REINFORCED

GAUGE: N/A
TITLE: SALES GA DRAWING FOR SIZE -325 HERCULES CABINET
DO NOT SCALE DRAWING
DEBURR AND BREAK SHARP EDGES
SCALE: 1:2
SHEET 2 OF 2
A3