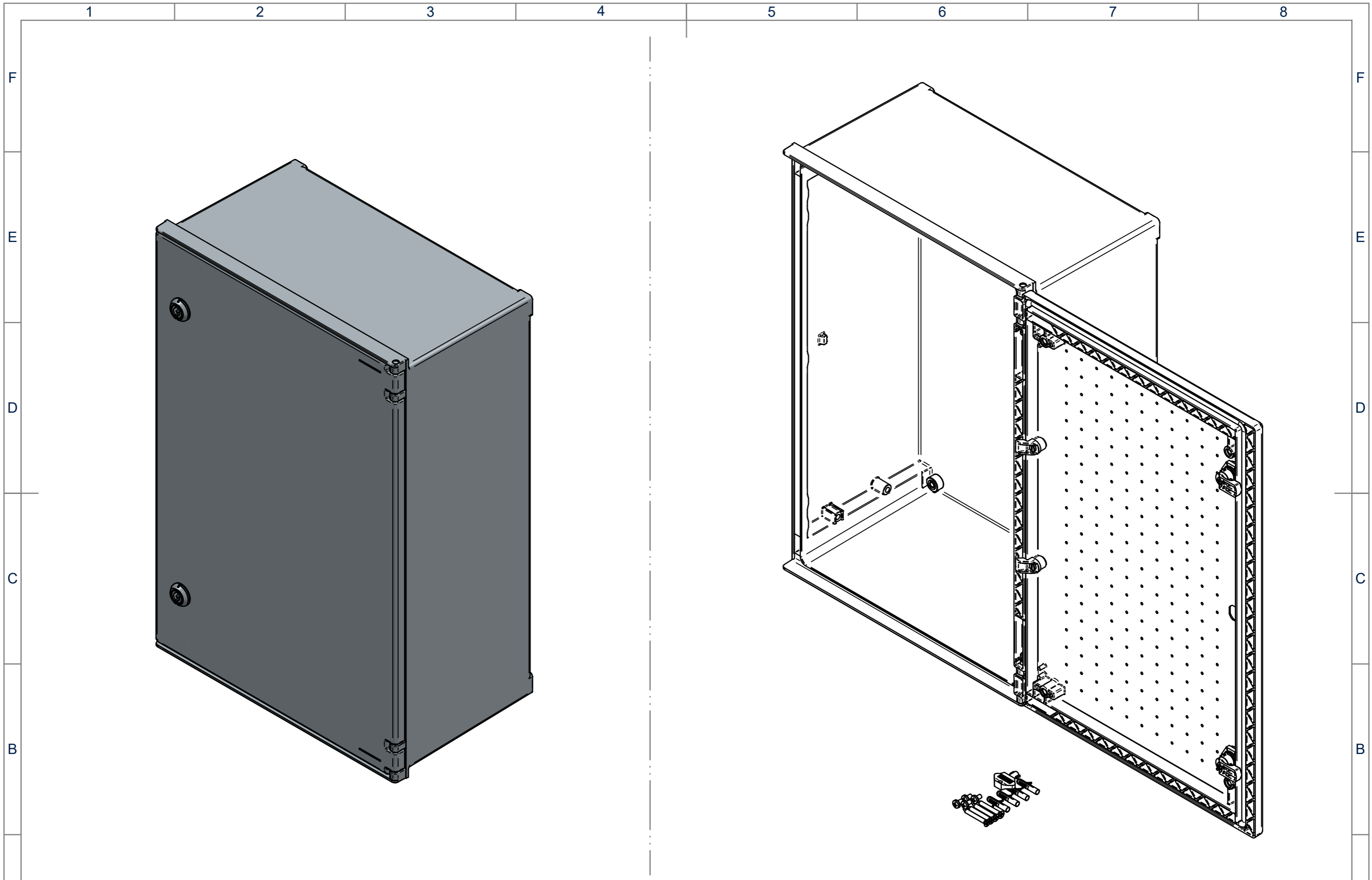


-			-		CAMDENBOSS <small>CONNECT. ENCLOSE. INNOVATE.</small>	COLOUR: LIGHT-GREY RAL 7035	GAUGE: N/A	DO NOT SCALE DRAWING DEBURR AND BREAK SHARP EDGES	SCALE: 1:5
-			-			FINISH: SMOOTH	TITLE: SALES GA DRAWING FOR SIZE -64 HERCULES CABINET		
-			-			MATERIAL: POLYESTER FIBREGLASS-REINFORCED	DWG NO: HER_B1_64 -01		
01	22/04/24	-	FIRST DRAWN	M.MACIAK	DRAWING UNITS: MILLIMETERS TOLERANCES: SEE CRITICAL DIMENSIONS	PROJECTION	SHEET 1 OF 2		
REVISION	DATE	INPD #	DESCRIPTION	COMPLETED BY			A3		



-			-		-		-		-		-		
01			22/04/24		-		FIRST DRAWN		M.MACIAK		DRAWING UNITS: MILLIMETERS TOLERANCES: SEE CRITICAL DIMENSIONS		
REVISION	DATE	INPD #	DESCRIPTION	COMPLETED BY	PROJECTION	COLOUR: LIGHT-GREY RAL 7035	FINISH: SMOOTH	MATERIAL: POLYESTER FIBREGLASS-REINFORCED	GAUGE: N/A	TITLE: SALES GA DRAWING FOR SIZE -64 HERCULES CABINET	DWG NO: HER_B1_64 -01	DO NOT SCALE DRAWING DEBURR AND BREAK SHARP EDGES	SCALE: 1:5 SHEET 2 OF 2
1	2	3	4	5	6	7	8	A					



COLOUR: LIGHT-GREY RAL 7035
 FINISH: SMOOTH
 MATERIAL: POLYESTER FIBREGLASS-REINFORCED
 GAUGE: N/A
 TITLE: SALES GA DRAWING FOR SIZE -64 HERCULES CABINET
 DWG NO: HER_B1_64 -01
 DO NOT SCALE DRAWING
 DEBURR AND BREAK SHARP EDGES
 SCALE: 1:5
 SHEET 2 OF 2
 A3