
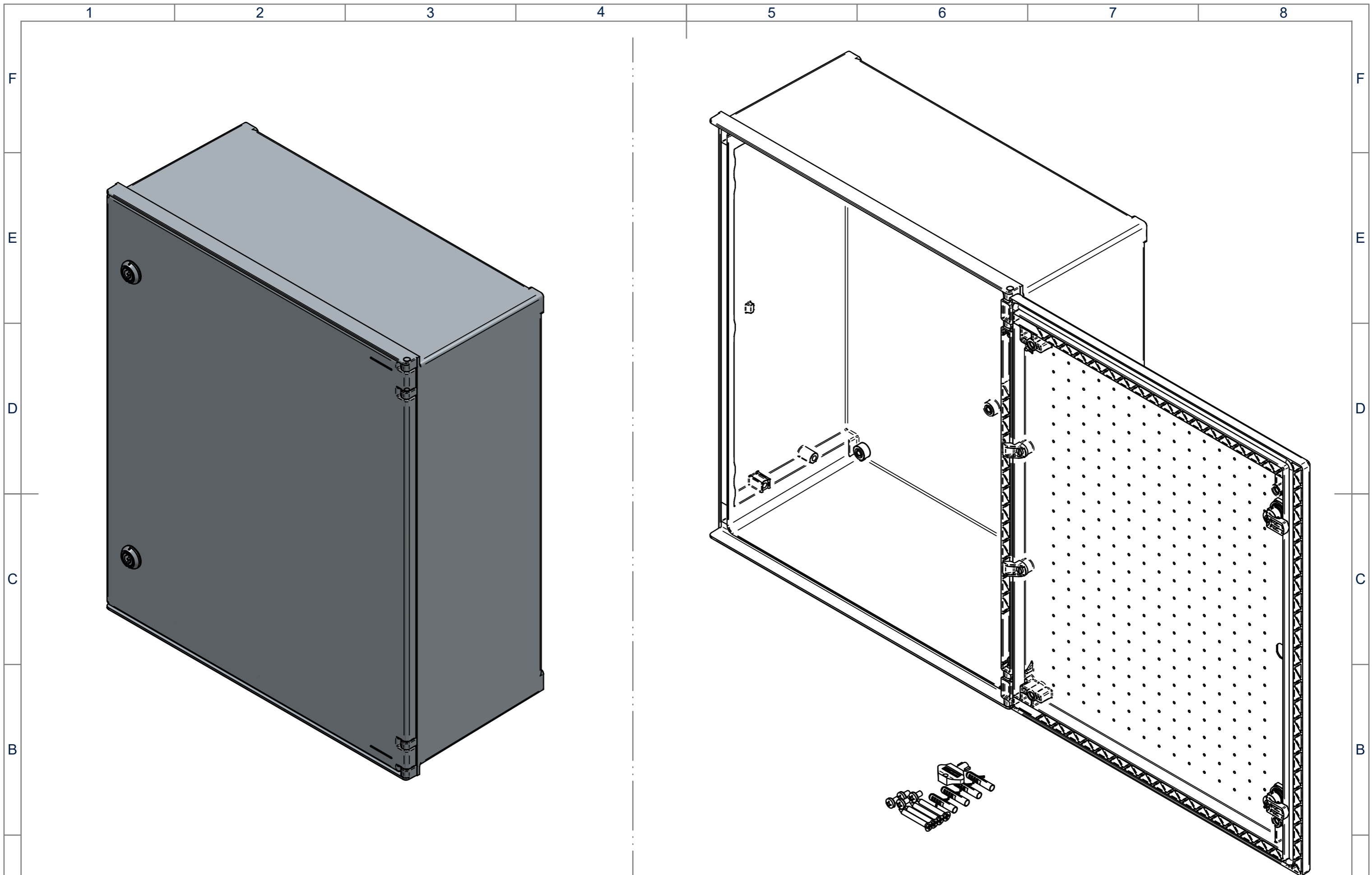


-			-		 CAMDENBOSS <small>CONNECT. ENCLOSE. INNOVATE.</small>	COLOUR: LIGHT-GREY RAL 7035		GAUGE: N/A		DO NOT SCALE DRAWING		SCALE: 1:5	
-			-			FINISH: SMOOTH		TITLE: SALES GA DRAWING FOR SIZE -65 HERCULES CABINET		DEBURR AND BREAK SHARP EDGES		SHEET 1 OF 2	
01			22/04/24			M.MACIAK		MATERIAL: POLYESTER FIBREGLASS-REINFORCED		DWG NO: HER_B1_65-01		A3	
REVISION	DATE	INPD #	DESCRIPTION		COMPLETED BY	DRAWING UNITS: MILLIMETERS TOLERANCES: SEE CRITICAL DIMENSIONS	PROJECTION						
1			2	3	4	5	6	7	8				



-			-		-		-		-		-		
01			22/04/24		-		FIRST DRAWN		M.MACIAK		DRAWING UNITS: MILLIMETERS TOLERANCES: SEE CRITICAL DIMENSIONS		
REVISION	DATE	INPD #	DESCRIPTION	COMPLETED BY	PROJECTION	COLOUR: LIGHT-GREY RAL 7035	FINISH: SMOOTH	MATERIAL: POLYESTER FIBREGLASS-REINFORCED	GAUGE: N/A	TITLE: SALES GA DRAWING FOR SIZE -65 HERCULES CABINET	DWG NO: HER_B1_65 -01	DO NOT SCALE DRAWING DEBURR AND BREAK SHARP EDGES	SCALE: 1:4 SHEET 2 OF 2 A3

