
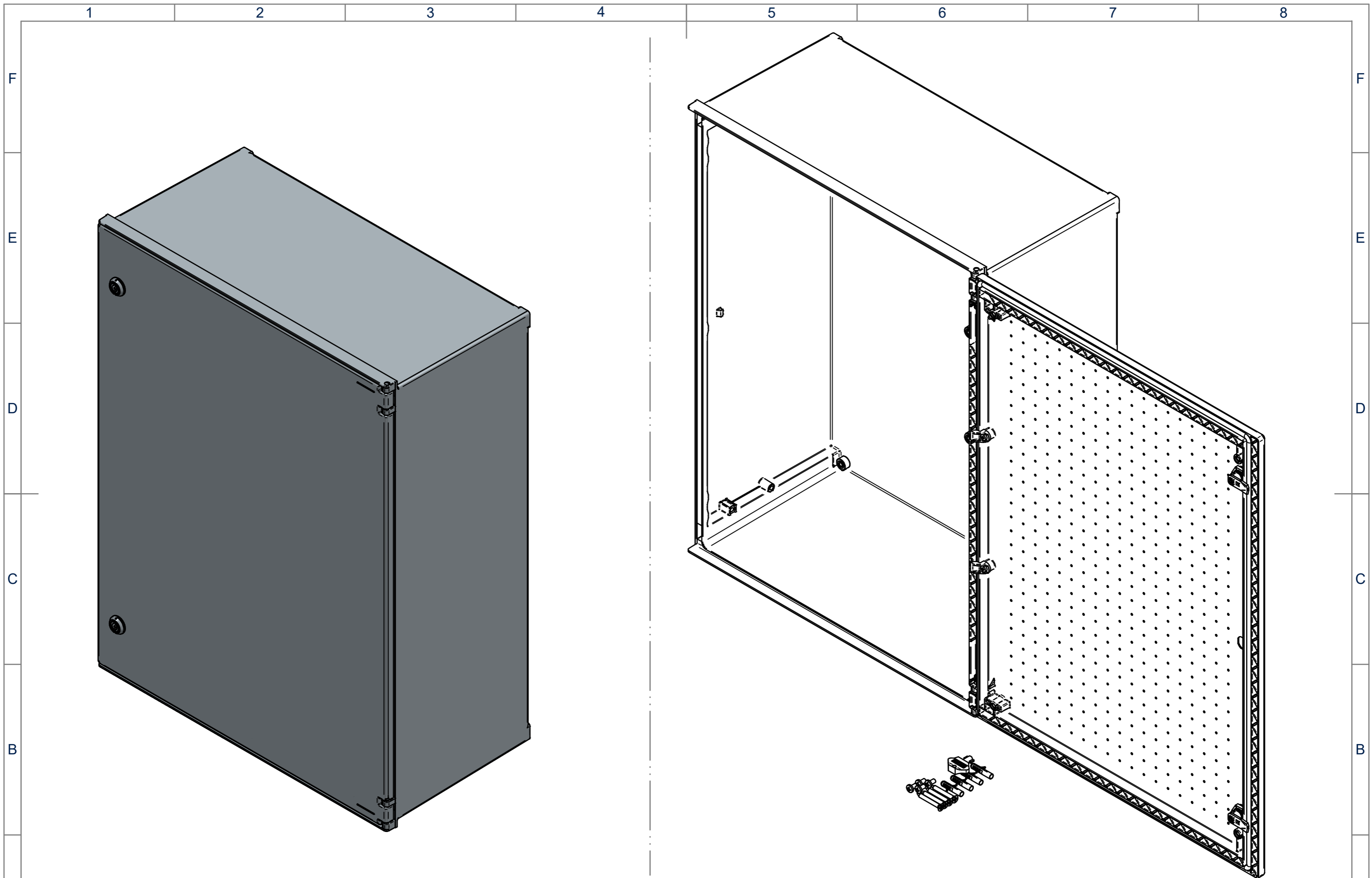


-			-		 CAMDENBOSS <small>CONNECT. ENCLOSE. INNOVATE.</small>	COLOUR: LIGHT-GREY RAL 7035		GAUGE: N/A		DO NOT SCALE DRAWING		SCALE: 1:6.67	
-			-			FINISH: SMOOTH		TITLE: SALES GA DRAWING FOR SIZE -86 HERCULES CABINET		DEBURR AND BREAK SHARP EDGES		SHEET 1 OF 2	
01			22/04/24			DRAWING UNITS: MILLIMETERS TOLERANCES: SEE CRITICAL DIMENSIONS		MATERIAL: POLYESTER FIBREGLASS-REINFORCED		DWG NO: HER_B1_86 -01		A3	
REVISION	DATE	INPD #	DESCRIPTION			COMPLETED BY	PROJECTION						
1			2	3	4	5	6	7	8				



-			-		-		-		-		-	
01			22/04/24		-		FIRST DRAWN		M.MACIAK		-	
REVISION	DATE	INPD #	DESCRIPTION		COMPLETED BY		DRAWING UNITS: MILLIMETERS TOLERANCES: SEE CRITICAL DIMENSIONS		PROJECTION		COLOUR: LIGHT-GREY RAL 7035 FINISH: SMOOTH MATERIAL: POLYESTER FIBREGLASS-REINFORCED	
-			-		-		-		-		GAUGE: N/A TITLE: SALES GA DRAWING FOR SIZE -86 HERCULES CABINET DWG NO: HER_B1_86 -01	
-			-		-		-		-		DO NOT SCALE DRAWING DEBURR AND BREAK SHARP EDGES SCALE: 1:5 SHEET 2 OF 2 A3	